



Installation Guide

Updated Dec. 1st, 2023

Thank you for choosing WEATHERLOK for your roofing needs. This instruction manual is intended as a guide to install The WeatherLok Panel. The information given has been developed using generally accepted and proven methods that are to be utilized by professional installers. The information given may not include all types of roofing scenarios, and you may contact WEATHERLOK to receive further instructions for different situations. As always, please follow your local, state and national building codes

1. Tools Needed

- 1) Skill Saw
- 2) Cordless
- 3) Impact Drive
- 4) Tin Snips
- 5) Hammer

2. Roof Deck Preparation

Installation is easiest when the deck is square and level. Make adjustments to the deck so that the panels can be installed for a proper fit.

3. Underlayment

Install a single layer of underlayment that complies with the local building codes. ASTM D 226 Type II 30# felt is the minimum underlayment. Use ice and water shield where it is required by the local building codes.

4. New Construction

The roof deck should be built to current building codes, and be clean and clear of any debris.

5. Re-Roof Over Asphalt Shingles, or Tear-Off

Can be installed over existing asphalt shingles. It is not recommended to re-roof over two layers of asphalt shingles. When tearing off the existing roofing, make sure the roof deck conditions meet local code. Clean off roof deck and clear any debris away.

6. Fasteners

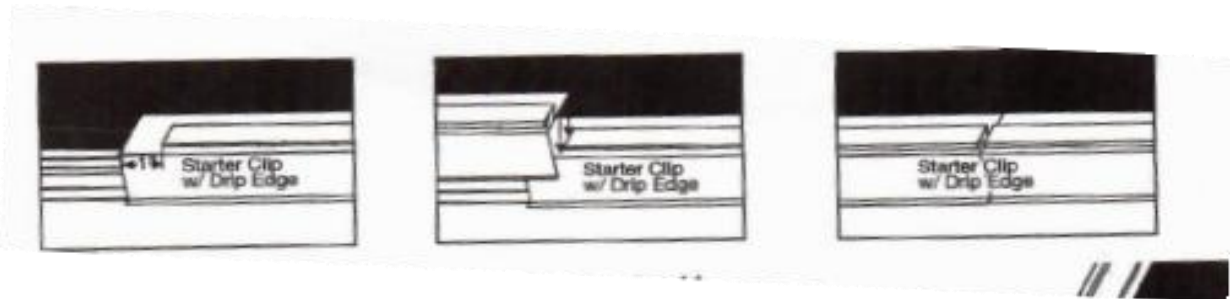
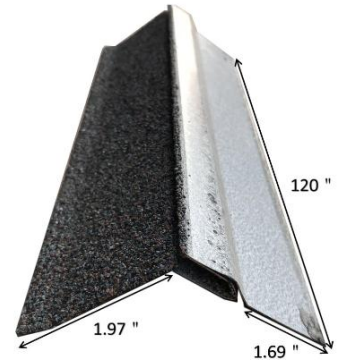
Each panel has six pre-drilled holes for the use of screws. Nails are not recommended for installation on the panel. Use corrosion resistant screws that are a minimum of 1 ½” in length. The screw should be able to penetrate the roof deck sheathing by at least ¾” in depth. The use of a longer fastener maybe needed when roofing over existing shingles.

The WeatherLok Panel Trim and Accessories Installation

The WeatherLok Panel has been designed to always be started on the left side of the roof.

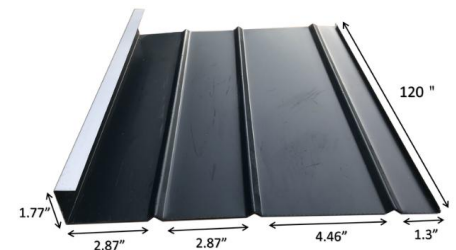
● One Piece Starter/Drip Edge

When joining the starter strips together, cut off the top clip and overlap the next piece 2". The top clip on the starter strip will need to be cut back 4" anywhere a hip, valley, gable, head wall or side wall is located to allow for the trim pieces to attach properly. Place 1 1/2" screws every six inches.



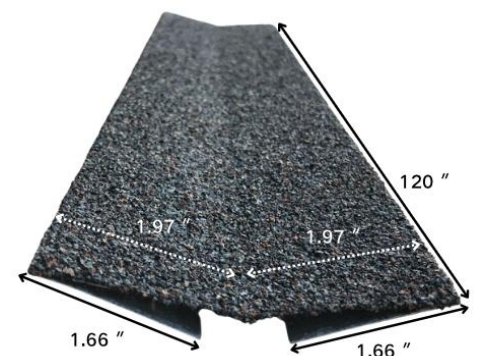
● WEATHERLOK Steel Channel

The WeatherLok steel channel will be positioned in the valleys, gables, hips and sidewalls. When installing in a valley two pieces back to back, a 2" strip of mastic tape must be used to join them together.



● Valley and Valley Cap

Make sure the starter strip clip has been notched out 4" so that the WEATHERLOK Channel will install over the top of it and hang past the eave by 1". Install two of The WeatherLok Channel in the center of the valley back to back. The channels should run past the edge of the eave by 1". Continue adding channels along the entire valley area starting at the bottom. Each new channel



should overlap by 6". Install 1 1/2" screws every six inches along the fastening area of the channel. Place mastic tape over the back to back WEATHERLOK Channel. The valley cap should be installed by sliding it into place or over the channel. Each piece of valley cap should be fastened on with a 3/4" screw through the top of the cap into one of the channel clips. The valley cover should not overlap each other.

● Gable Fascia Cover

Install the stone coated fascia cover by clipping it into the WEATHERLOK Steel Channel on the gables. Install additional covers without leaving a gap. Using a panel screw, fasten it every 3' along the fastening area.



● Hip/Ridge Cap

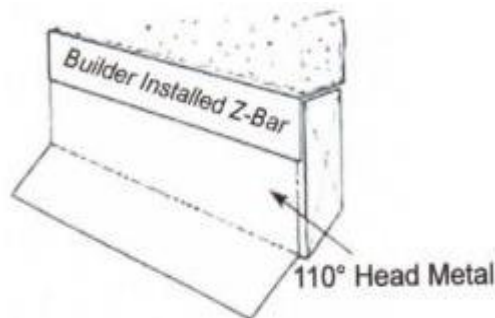
Continue adding channels along the entire hip starting at the bottom. Each new channel should overlap by 6". Install 1 1/2" screws every two feet along the fastening area of each side of the channel. The ridge cap should be installed by fastening a screw into both sides of the channel. Each piece of ridge cap will lock into the previous ridge cap. Each piece should be fastened on with a 3/4" screw through the top of the cap into the channel. Finish the ends by placing a disk accessory panel to the end cap and fastening it to the ridge.



When the final top course of The WeatherLok Panel has been installed, the ridge cap should be installed. Using a 1 ½” screw, secure the first ridge Cap directly to the panel. Each piece of ridge cap will lock into the previous ridge cap. Each piece should be fastened on with screws through the overlaps.

● Head Wall

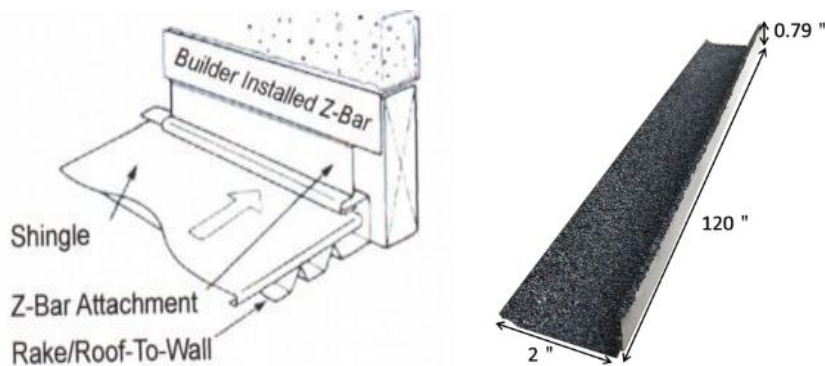
When the top course of WeatherLok Panel reaches an head wall, it may need to be cut. The head wall trim should tuck up under the siding and be fastened into The WeatherLok Panel. Add foam closure between The Weatherlok Panel and the head wall trim. In certain applications where the head wall cannot be tucked under siding or with brick or stucco, anchor the trim to the wall and place a bead of roof grade sealant along the head wall cover and the siding to seal. Overlap each additional head wall trim a minimum of 6”.



● Side wall

The WEATHERLOK Channel should be installed against the side wall with 1” hanging past the eave and over the starter strip. Screw on the channel every 2’ with 1 ½” screws. Starting at the bottom, overlap all additional channels a minimum of 2”. Install the side wall cover by clipping it onto the top clip of The WEATHERLOK Steel Channel.

When installing channel on dormer side wall, all channel to overlap 2" lower course panels.



Roof Penetrations: Plumbing Vents & Pipes

All roof penetrations should be completed before installing The WeatherLok Panel system. Install a blank penetration shingle without any stone granules, and install the pipe jack. Cut a hole into the full WeatherLok Panel so it fits snug around the pipe.

● The WeatherLok Panel Installation

The WeatherLok Panel system has been designed to be installed from left to right.

On the first course cut let side of panel 3.5" to edge of nailing strip.

As need notch 4" out of corner of the nose of panel on gable ends, valley for drainage.

On second course cut 16" off and install right side of panel.

On third course cut 28.5" off and install right side of panel.

On fourth course cut 41" off and install right side of panel.



● Roof Venting

The WeatherLok Panel comes with a WeatherLok Vent panel. The roof deck must be prepared for this type of attic venting by cutting into the roof sheathing.

Determine how many vent panels will be used and the locations, and cut a rectangular hole 30" wide x 6" high.



The WeatherLok Vent panel will install just like a normal panel. Lock it into place with the panel below it and use the five predrilled screw holes to secure it to the roof.